

## GAMMA practical tips

### DALI lamps without complicated DALI commissioning

ECGs with a DALI\* interface are increasingly used for lighting control, for instance to enable faulty lamps to be efficiently reported.

If each DALI device needs to be individually activated, it must be identifiable – with complicated commissioning mechanisms the inevitable outcome.

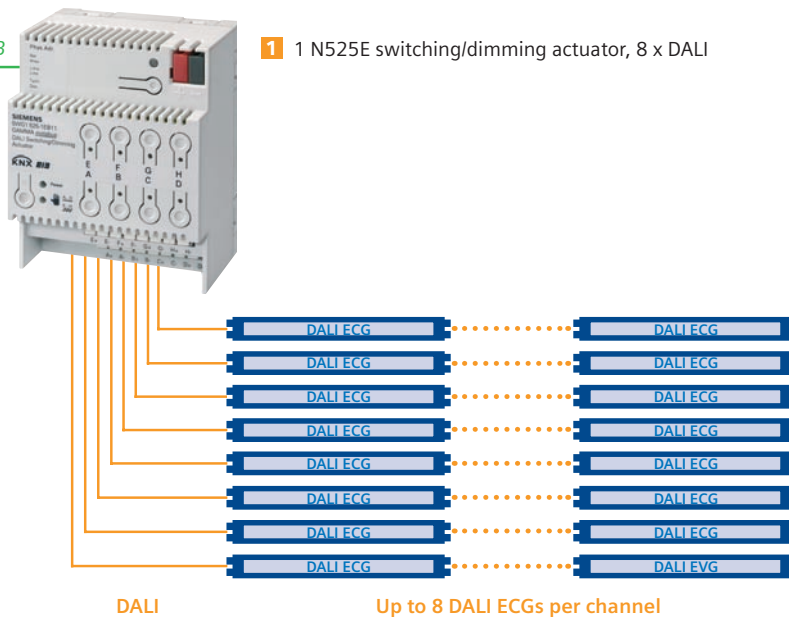
The new N525E switching/dimming actuator allows all DALI devices to be combined in the GAMMA *instabus* without any previous knowledge of DALI and with no need for DALI commissioning.

The N525E switching/dimming actuator switches and dims eight independent groups of fluorescent lamps with dimmable ECGs via a DALI interface. Up to eight DALI ECGs can be connected to each of the eight channels.

#### The solution:

KNX/EIB

1 N525E switching/dimming actuator, 8 x DALI



Electrical Installation from A to Z

### Practical tip No. 9

#### The benefit for you:

- True 0 to 100% light value control
- High operating reliability with controlled shutdown in case of a fault
- Error messages for lamp groups
- Suitable for individual room light control

#### \*DALI

DALI, the abbreviation for Digital Addressable Lighting Interface, has gained a reputation as an innovative interface for lighting electronics!

## What to do:

- Connect an N525E switching/dimming actuator to the KNX / EIB
- Connect each group of DALI ECGs that must be collectively activated to a switching/dimming actuator output
- Configure each channel in ETS in the same way as an ordinary EIB actuator and program the device

## What you need:

- N525E switching/dimming actuator
- Dimmable ECGs with a DALI interface
- ETS (KNX / EIB commissioning software)

## Ordering data

Product	Order No.
<b>1</b> N525E switching/dimming actuator, 8 x DALI	5WG1 525-1EB01

Siemens AG  
Automation and Drives  
Electrical Installation Technology  
P.O. Box 10 09 53  
93009 REGENSBURG  
GERMANY

[www.siemens.com/gamma](http://www.siemens.com/gamma)

© Siemens AG 2005  
Date 11/2005

Subject to change without prior notice

*All product designations may be trademarks or product names of Siemens AG or supplier companies whose use by third parties for their own purposes could violate the rights of the owners.*

*The information provided in this practical tip contains merely general descriptions or characteristics of performance which in case of actual use do not always apply as described or which may change as a result of further development of the products. An obligation to provide the respective characteristics shall only exist if expressly agreed in the terms of contract.*